

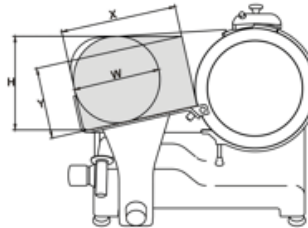
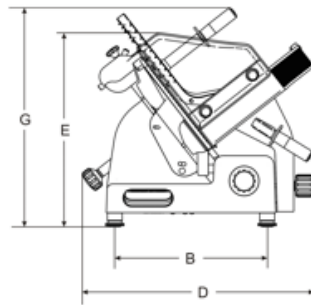
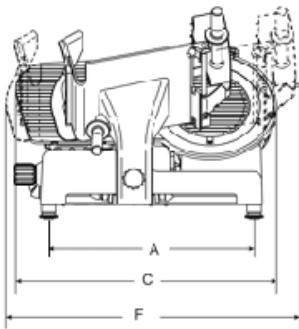
PALLADIO 300



- Rounded design, no sharp edges and visible screws.
- Chrome plated and ground slide rod.
- Lapped cast iron slide rod bushing.
- Vulcanized rubber stops on carriage.
- Removable support cover for thickness gauge plate.
- Stainless steel slice deflector with bayonet fitting.
- Stainless steel screws and fittings.
- Enclosed and sealed belt pulley.
- 49,5 mm distance between blade and motor.
- Bottom cover.
- Changeover electronic circuit 110-220-380 V single and three phase.
- Built in sharpening tool with bottom protection.
- Standard blade removal tool.
- 35° blade inclination
- Plastic knob.
- Plastic pushbuttons with IP67 protection rating.

DETTAGLI

DATI TECNICI



| | |
|------------------------|--------------------|
| Model | PALLADIO 300 |
| Ø Blade | mm 300 - inch. 12 |
| Motor | watt 275 - Hp 0,37 |
| Cut thickness | mm 30 |
| Run of carriage | mm 310 |
| Hopper | mm 305x270 |
| A | mm 465 |
| B | mm 340 |
| C | mm 615 |
| D | mm 547 |
| E | mm 465 |
| F | mm 710 |
| G | mm 545 |
| X | mm 270 |
| Y | mm 190 |
| H | mm 240 |
| W | mm 220 |
| Net weight | kg 35 |
| Shipping | mm 780x640x700 |
| Gross weight | kg 40 |